

HAAS® LIVE & STATIC TOOLING



HAAS® ST SERIES LATHES - ST-20Y, ST-30Y, DS-30Y, ST-40

LYNDEX-NIKKEN LIVE TOOLING WILL ALSO FIT HAAS® SS & SSY SERIES LATHES

**NEW SK
Live Tools**
(see page 8)



**LYNDEX
NIKKEN** 
PRECISION FIRST

CAT2016-HAAS-ST JUNE 2016

Fax: (847) 367-4815
Email: sales@lyndexnikken.com

Fill in the form below and fax it to (847) 367-4815, or visit www.lyndexnikken.com and complete the form online. Lyndex-Nikken engineers will help you to determine the best live tool for your application.

Company _____ Name _____

Address _____

Zip _____ City _____

Phone _____ E-mail _____

Please specify design configuration:



Standard:
1) straight
2) 90° (reducer/speeder)



Offset:
1) straight
2) 90°



Saw Blade Holder:
1) straight
2) 90°



Multi Output:
1) straight
2) 90°



Offset Multi Output:
1) straight
2) 90°



Adjustable Y straight



Adjustable Angle



Fixed Angle

Please specify holding system and cutting tool specifications:

Holding System

Preferred type of holding system (ER, Shrink Fit, Shell Mill Arbor, etc.): _____

Application and Cutting Tool Specifications

Type of material: _____

Type and nature of application (milling, drilling, reaming, slitting, etc.): _____

Size of cutter (diameter): _____ Overall length of cutter: _____

Flute length: _____ Requested RPM: _____ Requested torque: _____

Coolant Requirements

External/Internal: _____ Requested pressure capabilities: _____

Number of nozzle ports: _____ Coolant pipe design or configuration specifications: _____



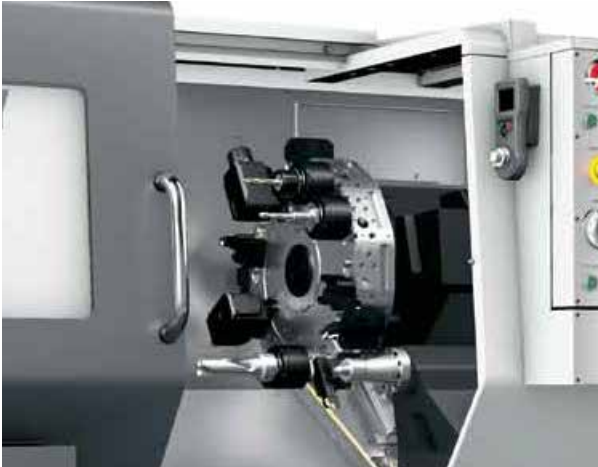
<i>Special Live Tool Inquiry Form</i>	2
<i>Table of Contents</i>	3
<i>Part Number Structure for Live and Static Tools</i>	4
<i>Features and Technology</i>	5
<i>SK HI-Performance Live Tool Series</i>	6
<i>ER vs. SK Gripping Force</i>	7
Live Tools for HAAS® ST-20Y, ST-30Y, DS-30Y, and ST-40 Series Lathes (Lyndex-Nikken Live Tooling will also fit HAAS® SS & SSY series lathes)	8-9
<i>VDI40 Static Toolholders</i>	10
<i>SK Series Collets</i>	11
<i>ER Series Collets</i>	12-13
<i>Wrench Usage, Warranty and Service</i>	14
<i>TQW Torque Wrenches</i>	15

Specials

Custom-made live tools can be engineered for your specific application. Please direct your request to our office (see special live tool inquiry form). Our engineering staff is ready to assist you with your specific tooling needs.



Turn Your HAAS® Lathe into a Precision Profit Center



HAAS® ST-20Y 12-Station Hybrid VDI style turret

Parts inventory, maintenance and repair, and rebuild services are available through Lyndex-Nikken.

Lyndex-Nikken live tooling offers the latest technology you can expect for turning operations. Our live tools have features and benefits unmatched by the competition. Gears, bearings, seals, every part is built to provide the highest accuracy, rigidity and stability.

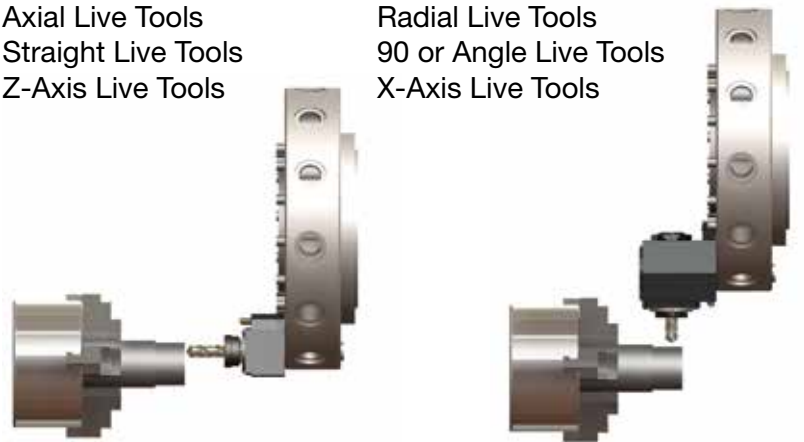
With more than 35 years of tooling engineering and manufacturing experience, Lyndex-Nikken live tooling will maximize the capabilities of your machine, and keep you far ahead of the global competition. We understand that exceptional quality is key to your business. Let the manufacturers who share your philosophy in producing live tools join you in doing what you do best- machining the highest quality parts.

Enhanced with Lyndex-Nikken live tooling, your HAAS® machine will allow you to reduce cycle times, eliminate extra operations and achieve maximum efficiency.

Commonly Referenced: **Commonly Referenced:**

- Axial Live Tools
- Straight Live Tools
- Z-Axis Live Tools

- Radial Live Tools
- 90 or Angle Live Tools
- X-Axis Live Tools



Part numbering structure for Lives Tools

1	2	3	4	5	6	7	8	9	10	11	12	13	14
HA		40				•	E	R	3	2	X	•	ICE
Machine Make		VDI				•	Tool Nose/Output				Axis	•	Coolant
HA		40				•	E	R	3	2	X	•	ICE
HA	HAAS®						ER32		ER32		X		
							SK20		SK20		Z		

Features and Technology



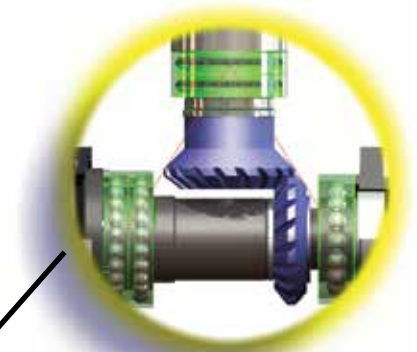
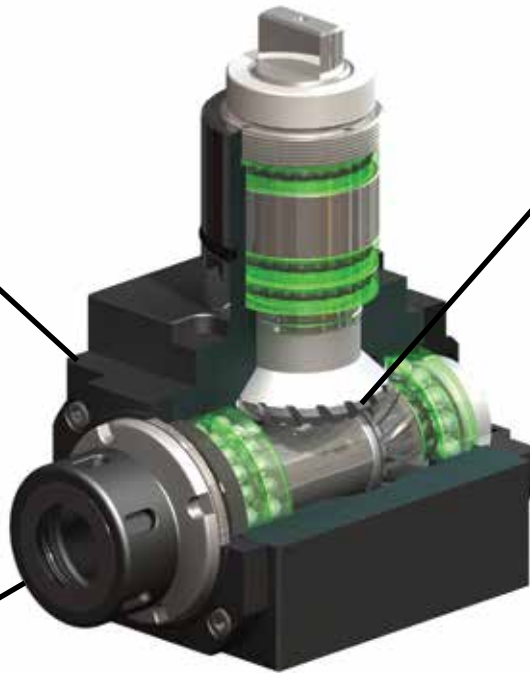
Protective Seals

- **Labyrinth Seals** - provide a high-pressure multi-barrier construction that prevents contaminants and coolant from entering the main chamber.



Eccentric Bearing Nut

- **Ground Eccentric Nut** - allows for fine accuracy and strong tool shank gripping capacity by preventing collet twisting or rocking.
- **Runout** - guarantee of under 5-micron repeatability at collet nose.



Gears for Stability

- **Gear Pairing** - hand-matched for each pair to minimize backlash.
- **Gear Design** - custom ground spiral bevel gear tooth design maximizes drive torque output and reduces tooth root stress allowing for more tool longevity.
- **Gear Equilibrium** - placement of bearings balance torque stress evenly through input/output shafts.

Tool Design and Engineering

- **Tool Body** - manufactured from the highest tensile and compression Nickel Chrome Molybdenum alloys.
- **Drive Shafts** - all features are ground on both the input and output Chrome Molybdenum drive shafts to assure proper torque transmission and precision concentricity.
- **Bearing Quality** - only the highest precision ABEC 7 angular contact bearings are used for smooth and high speed rotation.
- **Quality Control** - all live tools go through a vigorous 60-point final inspection to satisfy the highest expectations of live tool performance.

ARE YOU GETTING THE MOST OUT OF YOUR HAAS CNC TURNING CENTER?



SK LIVE TOOL
HAAS ST20SSY VDI400

LIVE TOOL: MIMATIC 90 DEG LIVE TOOL INTERNAL
COOLANT WITH NIKKEN SK20 COLLET

SGS 4 FLUTE 1/2" CARBIDE ENDMILL
RPM - 2500 AT 20IN/MIN | CUT - FULL WIDTH
MATERIAL - 303 STAINLESS | X 1/8" DEEP

See the POWER of SK on YouTube @LyndexNikkenMedia or scan the QR codes:
SK performance on the HAAS ST20 Lathe
SK performance on the HAAS VF2 Mill



**Turn to pages 8-9
for the full specs
on our SK
HI-Performance
Live Tools for HAAS®!**

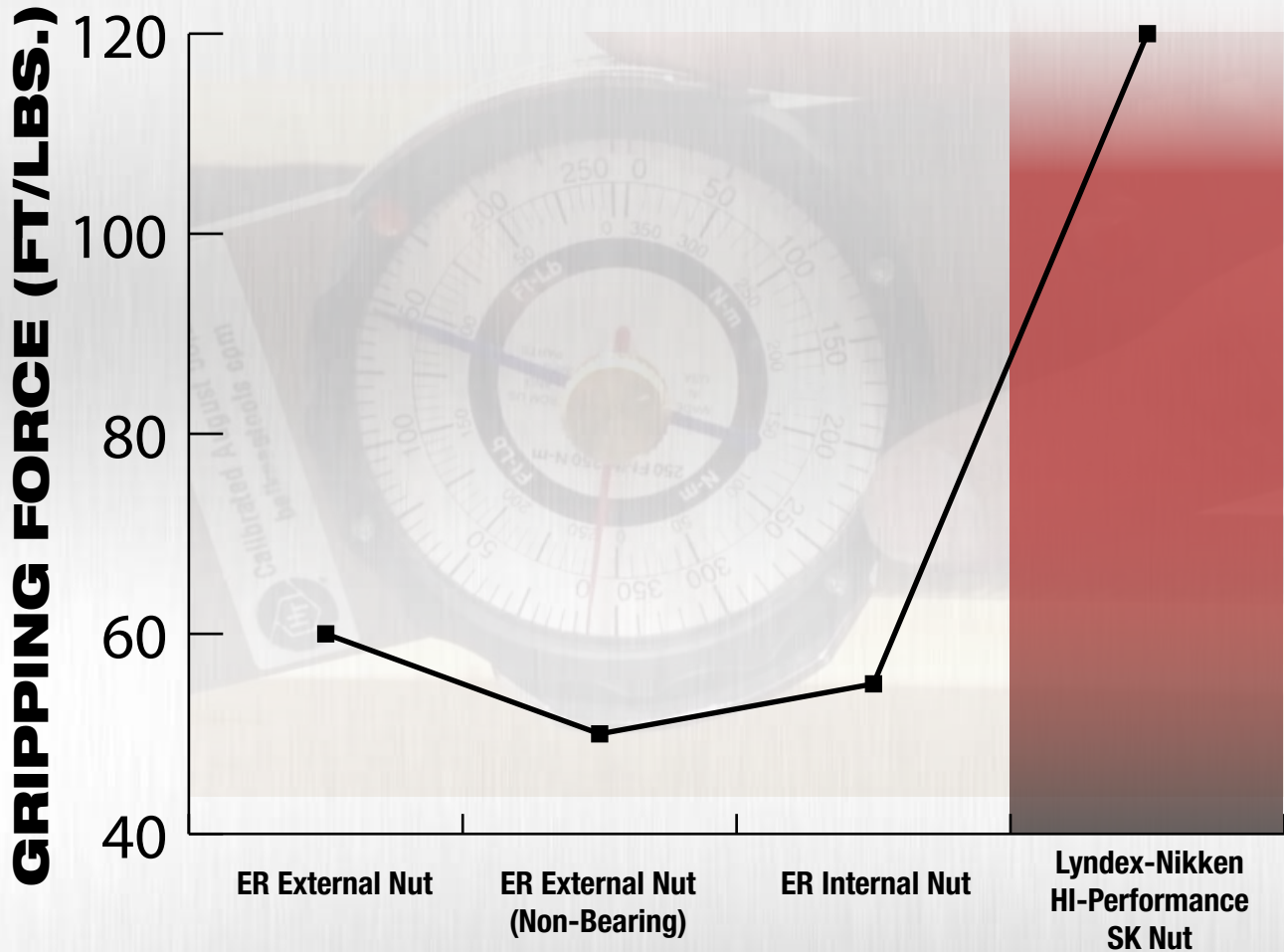
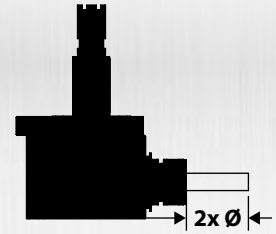
**ALL INTERNAL
COOLANT TOOLS
CAN RUN DRY
CONTINUOUSLY!**



Benefits of Higher Gripping Force

- Machine with higher chip load and reduce cycle time
- Reduction in end mill pulling reduces scrapping parts
- Eliminate over tightening that can lead to collet damage and excessive run-out
- Better overall cutting condition

Tightening Torque: 70 ft.-lbs. • Collet Size: ER 32 • Pin: 1/2" Solid Carbide



Test	ER External Nut	ER External Nut (Non-Bearing)	ER Internal Nut	Lyndex-Nikken HI-Performance SK Nut
1	75 ft.lbs.	60 ft.lbs.	60 ft.lbs.	115 ft.lbs.
2	60 ft.lbs.	60 ft.lbs.	55 ft.lbs.	120 ft.lbs.
3	60 ft.lbs.	65 ft.lbs.	65 ft.lbs.	110 ft.lbs.
4	70 ft.lbs.	50 ft.lbs.	70 ft.lbs.	115 ft.lbs.
5	75 ft.lbs.	55 ft.lbs.	75 ft.lbs.	115 ft.lbs.



Looking for SK Series Collets? Turn to page 11.

Face Drill/Milling Unit

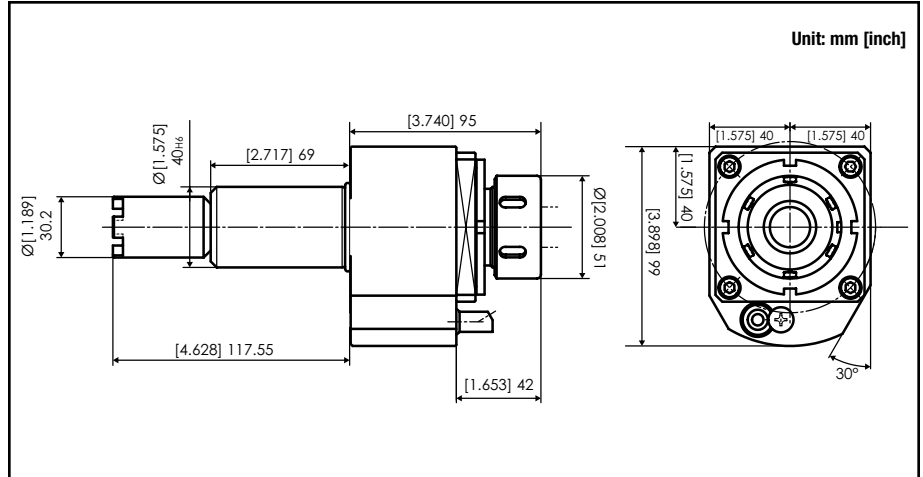
Part #: HA40-ER32Z-4500RPM Price: \$1,460.00

Clockwise Input

Clockwise Output



HAAS® ST-20Y, ST-30Y,
DS-30Y, ST-40 Series



External or Internal Coolant	Radial/Axial	Max. RPM	Gear Ratio	Max. Torque Output	Max. Pressure	Collet Size	Replacement Nut	Setting Fixture	Spanner Wrench for Nut
External	Axial	4500	1:1	17.3 ft-lbs (24N-m)	1000 PSI	ER32 (1/8" to 25/32")	HA105-00100	HA116-00800	FK-8

Please refer to pages 12 - 15 for ER Series Collets and ER Tap Collets details.

SK20 Performance Series

Part #: HA40M-SK20Z-ICE Price: \$2,001.00

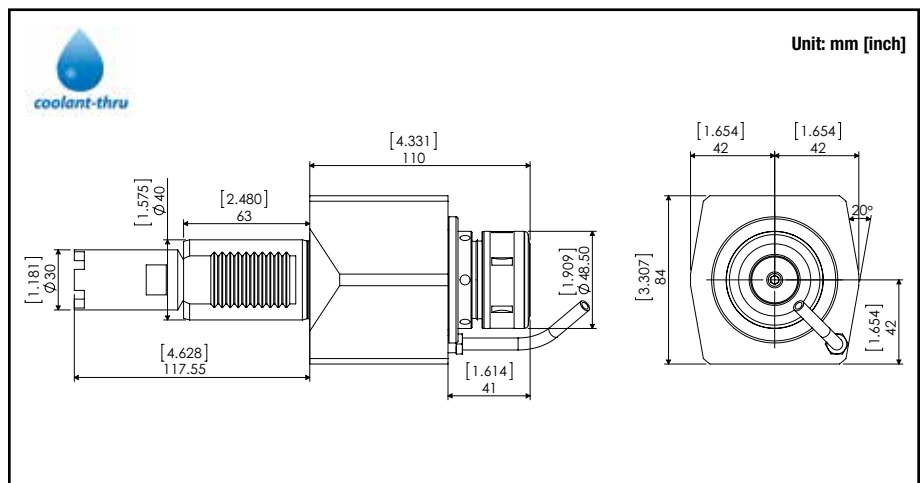
2X the GRIPPING POWER of ER32!
(see page 7)

Clockwise Input

Clockwise Output



NEW DESIGN ALLOWS FOR INTERNAL COOLANT TYPE TO BE RUN DRY CONTINUOUSLY!



External or Internal Coolant	Radial/Axial	Max. RPM	Gear Ratio	Max. Torque Output	Max. Pressure	Collet Size	Replacement Nut	Spanner Wrench for Spindle	Spanner Wrench for Nut
Internal	Axial	6500	1:1	59 ft-lbs (80N-m)	1000 PSI	SK20 (1/8" to 3/4")	SKN-20B / SKN-20BJ	WRENCH-MIM-107446	FK-8

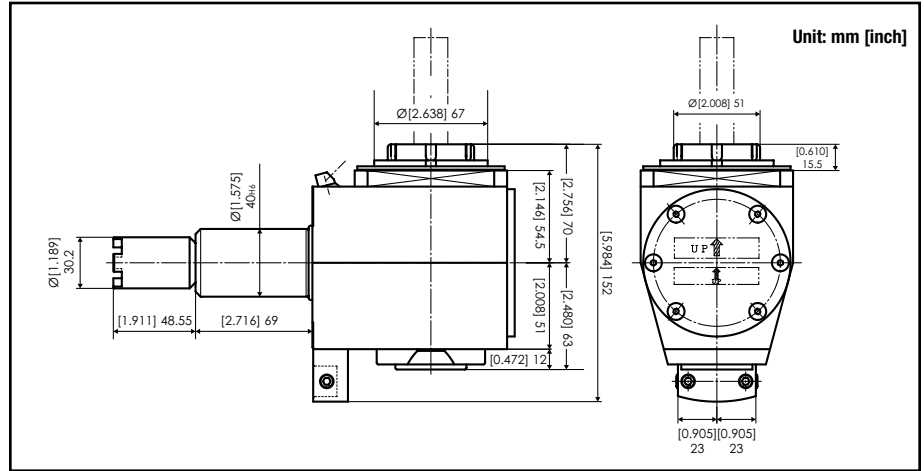
Note: Max Coolant Pressure 1000 PSI. Must use a minimum of a 20 micron coolant filter to prevent damage to the unit. Please refer to page 11 for SK Series Collets details.

OD Drill/Milling Unit

Part #: HA40-ER32X-4500RPM Price: \$2,618.00

Clockwise Input

Clockwise Output



External or Internal Coolant	Radial/Axial	Max. RPM	Gear Ratio	Max. Torque Output	Max. Pressure	Collet Size	Replacement Nut	Setting Fixture	Spanner Wrench for Nut
External	Radial	4500	1:1	17.3 ft-lbs (24N-m)	1000 PSI	ER32 (1/8" to 25/32")	HA105-00100	HA116-00800	FK-8

Please refer to pages 12 - 15 for ER Series Collets and ER Tap Collets details.

SK20 Performance Series

Part #: HA40M-SK20X-ICE Price: \$3,235.00

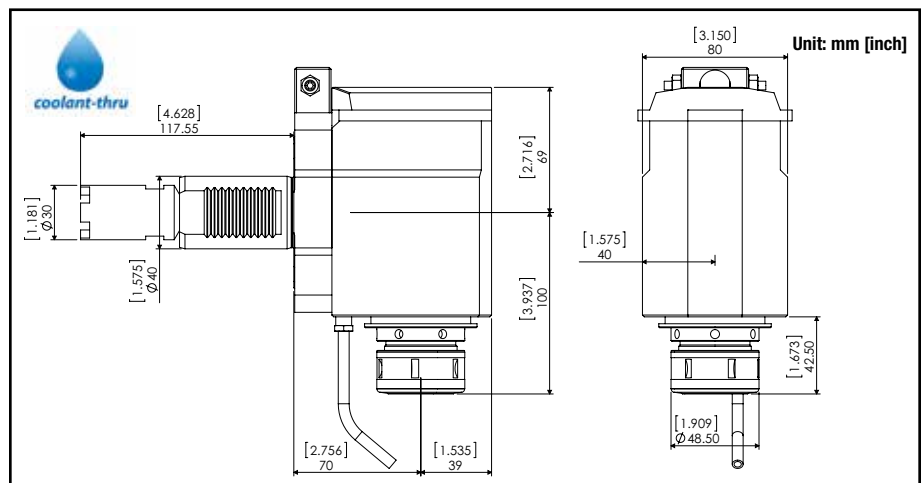
2X the GRIPPING POWER of ER32!
(see page 7)

Clockwise Input

Clockwise Output



NEW DESIGN
ALLOWS FOR INTERNAL COOLANT TYPE TO BE RUN DRY CONTINUOUSLY!



External or Internal Coolant	Radial/Axial	Max. RPM	Gear Ratio	Max. Torque Output	Max. Pressure	Collet Size	Replacement Nut	Spanner Wrench for Spindle	Spanner Wrench for Nut
Internal	Radial	6500	1:1	36.9 ft-lbs (50N-m)	1000 PSI	SK20 (1/8" to 3/4")	SKN-20B / SKN-20BJ	WRENCH-MIM-107446	FK-8

Note: Max Coolant Pressure 1000 PSI. Must use a minimum of a 20 micron coolant filter to prevent damage to the unit. Please refer to page 11 for SK Series Collets details.

HAAS® ST-20Y, ST-30Y, DS-30Y, ST-40 Series



Part Number	Description	Price
RADIAL TOOLHOLDER		
VDI40-OD10X-B2	Left-hand short	\$193.00
VDI40-OD10X-OHB4	Overhead Left-hand, short	\$234.00
VDI40-OD10X-LG-B6	Left-hand long	\$299.00
VDI40-OD10X-LG-OHB8	Overhead Left-hand, long	\$308.00
AXIAL TOOLHOLDER		
VDI40-ID10Z-C2	Left-hand	\$284.00
VDI40-ID15Z-OHC4	Overhead Left-hand	Call for pricing
BORING BAR HOLDER		
VDI40-BG12Z-C-E2	Boring Bar Holder E2, 1.25"	\$234.00
VDI40-BG15Z-C-E2	Boring Bar Holder E2, 1.5"	\$234.00
COLLET CHUCK		
VDI40-ER32Z-E4	ER E4 DIN 6499 ER32	\$361.00
VDI40-ER40Z-E4	ER E4 DIN 6499 ER40	\$361.00
PROTECTION PLUG		
VDI40-PLUG	Protection Plug	\$56.00



SK Collets can be used for all applications, from milling to reaming. Standard collets can be used in coolant thru applications (with coolant back-up screws).



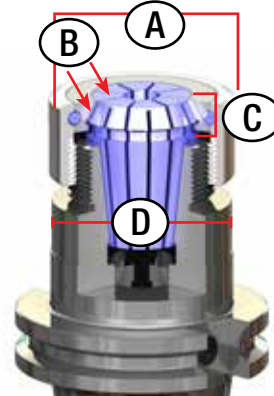
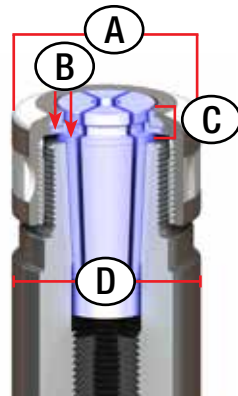
Increased Gripping Power

The smaller the taper angle is, the better concentricity is obtained. Our steep 8° collet seats deeper in the body of the holder, providing twice more clamping force and twice more precision than traditional 16° ER collets.

SK Collet vs. ER Collet

- A. Slim design allows for clearance
- B. Force is perpendicular to centerline of toolholder for strong grip
- C. Deep position creates greater accuracy
- D. Rigid body is flush

- A. Wide collets = wide nut design
- B. Force is angular to centerline of toolholder
- C. Shallow position creates collet rocking
- D. Body diameter is smaller than nut compromising rigidity



STANDARD (INCH)

SIZE	SK20 PART#
1/8A	SK20-1/8A
3/16A	SK20-3/16A
1/4A	SK20-1/4A
5/16A	SK20-5/16A
3/8A	SK20-3/8A
7/16A	SK20-7/16A
1/2A	SK20-1/2A
9/16A	SK20-9/16A
5/8A	SK20-5/8A
3/4A	SK20-3/4A

On-size SK Collets (METRIC)*

SIZE	SK20 PART#	SIZE	SK20 PART#
4mm	SK20-4A	10mm	SK20-10A
5mm	SK20-5A	12mm	SK20-12A
6mm	SK20-6A	16mm	SK20-16A
8mm	SK20-8A	20mm	SK20-20A

* On-size collets only collapse .05-.07mm (.002"-.003"). Nominal shank sizes must be used.

SK Collets (METRIC)**

SIZE	SK20 PART#	SIZE	SK20 PART#	SIZE	SK20 PART#
8mm	SK20-8	12mm	SK20-12	18mm	SK20-18
8.5mm	SK20-8.5	13mm	SK20-13	19.5mm	SK20-19.5
9mm	SK20-9	15.5mm	SK20-15.5	20mm	SK20-20
10mm	SK20-10	16mm	SK20-16		

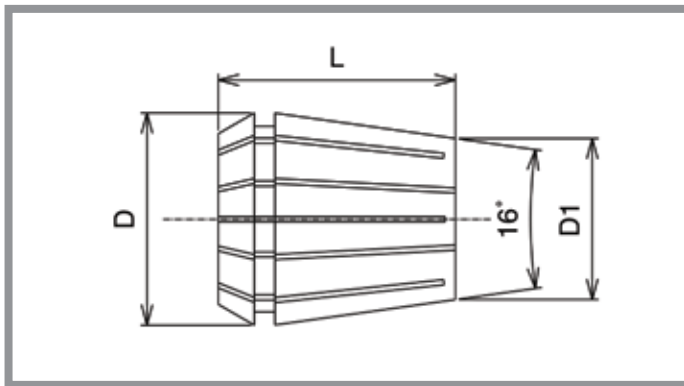
** Metric collets collapse .5mm (.019")

STANDARD (INCH)

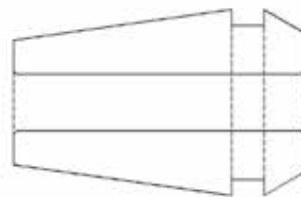
SIZE	ER32	ER40
1/32"	-	-
1/16"	-	-
3/32"	-	-
1/8"	E32-008	-
5/32"	E32-010	E40-010
3/16"	E32-012	E40-012
7/32"	E32-014	E40-014
1/4"	E32-016	E40-016
9/32"	E32-018	E40-018
5/16"	E32-020	E40-020
11/32"	E32-022	E40-022
3/8"	E32-024	E40-024
13/32"	E32-026	E40-026
7/16"	E32-028	E40-028
15/32"	E32-030	E40-030
1/2"	E32-032	E40-032
17/32"	E32-034	E40-034
9/16"	E32-036	E40-036
19/32"	E32-038	E40-038
5/8"	E32-040	E40-040
21/32"	E32-042	E40-042
11/16"	E32-044	E40-044
23/32"	E32-046	E40-046
3/4"	E32-048	E40-048
25/32"	E32-050	E40-050
13/16"	-	E40-052
27/32"	-	E40-054
7/8"	-	E40-056
29/32"	-	E40-058
15/16"	-	E40-060
31/32"	-	E40-062
1"	-	E40-064

STANDARD (METRIC)

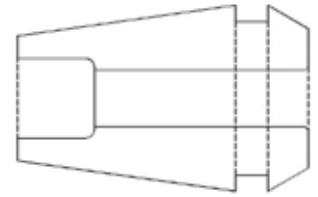
SIZE	ER32	ER40
1.0mm	-	-
1.5mm	-	-
2.0mm	-	-
3.0mm	E32-118	-
3.5mm	E32-137	-
4.0mm	E32-157	E40-157
5.0mm	E32-196	E40-196
6.0mm	E32-236	E40-236
7.0mm	E32-275	E40-275
8.0mm	E32-314	E40-314
9.0mm	E32-354	E40-354
10.0mm	E32-393	E40-393
11.0mm	E32-433	E40-433
11.5mm	E32-452	E40-452
12.0mm	E32-472	E40-472
13.0mm	E32-511	E40-511
14.0mm	E32-551	E40-551
15.0mm	E32-590	E40-590
16.0mm	E32-629	E40-629
17.0mm	E32-669	E40-669
18.0mm	E32-708	E40-708
19.0mm	E32-748	E40-748
19.5mm	E32-767	E40-767
20.0mm	E32-787	E40-787
21.0mm	-	E40-826
22.0mm	-	E40-866
23.0mm	-	E40-905
24.0mm	-	E40-944
25.0mm	-	E40-984
26.0mm	-	E40-1023



ER Standard type collet



ER Counter-Bored type collet



Style	D	D1	L	Collet Range	Coolant Collet Size Range	Nut Tightening Torque	
						Standard collet	Counter-bored collet
ER32	33.2mm	24.4mm	40.0mm	2.0 - 20.0mm	10.0 - 20.0mm (1/4" - 25/32")	100 - 125 ft-lbs	77 - 96 ft-lbs
ER40	41.2mm	31.2mm	46.0mm	3.0 - 26.0mm	10.0 - 26.0mm (1/4" - 1 1/32")	125 - 157 ft-lbs	130 - 162 ft-lbs

COOLANT (INCH)

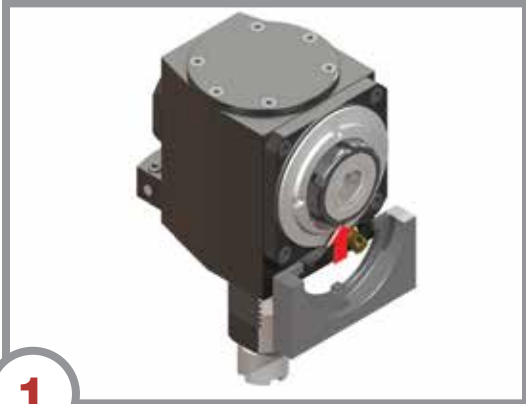
SIZE	ER32	ER40
3/32"	-	-
7/64"	-	-
1/8"	-	-
9/64"	-	-
5/32"	-	-
11/64"	-	-
3/16"	-	-
13/64"	-	-
7/32"	-	-
15/64"	-	-
1/4"	E32-016(C)	-
17/64"	E32-017(C)	-
9/32"	E32-018(C)	-
19/64"	E32-019(C)	-
5/16"	E32-020(C)	E40-020(C)
21/64"	E32-021(C)	-
11/32"	E32-022(C)	-
23/64"	E32-023(C)	-
3/8"	E32-024(C)	E40-024(C)
25/64"	E32-025(C)	-
13/32"	E32-026(C)	-
27/64"	E32-027(C)	-
7/16"	E32-028(C)	E40-028(C)
29/64"	E32-029(C)	-
15/32"	E32-030(C)	-
31/64"	E32-031(C)	-
1/2"	E32-032(C)	E40-032(C)
33/64"	E32-033(C)	-
17/32"	E32-034(C)	-
35/64"	E32-035(C)	-
9/16"	E32-036(C)	E40-036(C)
37/64"	E32-037(C)	-
19/32"	E32-038(C)	-
39/64"	E32-039(C)	-
5/8"	E32-040(C)	-
41/64"	E32-041(C)	-
21/32"	E32-042(C)	-
43/64"	E32-043(C)	-
11/16"	E32-044(C)	-
45/64"	E32-045(C)	-
23/32"	E32-046(C)	-
47/64"	E32-047(C)	-
3/4"	E32-048(C)	-
49/64"	E32-049(C)	-
25/32"	E32-050(C)	-

COOLANT (METRIC)

SIZE	ER32	ER40
4.0mm	-	-
4.5mm	-	-
5.0mm	-	-
5.5mm	-	-
6.0mm	-	-
6.5mm	-	-
7.0mm	-	-
7.5mm	-	-
8.0mm	-	-
8.5mm	-	-
9.0mm	-	-
9.5mm	-	-
10.0mm	E32-393(C)	E40-393(C)
10.5mm	E32-413(C)	E40-413(C)
11.0mm	E32-433(C)	E40-433(C)
11.5mm	E32-452(C)	E40-452(C)
12.0mm	E32-472(C)	E40-472(C)
12.5mm	E32-492(C)	E40-492(C)
13.0mm	E32-511(C)	E40-511(C)
13.5mm	E32-531(C)	E40-531(C)
14.0mm	E32-551(C)	E40-551(C)
14.5mm	E32-570(C)	E40-570(C)
15.0mm	E32-590(C)	E40-590(C)
15.5mm	E32-610(C)	E40-610(C)
16.0mm	E32-629(C)	E40-629(C)
16.5mm	E32-649(C)	E40-649(C)
17.0mm	E32-669(C)	E40-669(C)
17.5mm	E32-688(C)	E40-688(C)
18.0mm	E32-708(C)	E40-708(C)
18.5mm	E32-728(C)	E40-728(C)
19.0mm	E32-748(C)	E40-748(C)
19.5mm	E32-767(C)	E40-767(C)
20.0mm	E32-787(C)	E40-787(C)
20.5mm	-	E40-807(C)
21.0mm	-	E40-826(C)
21.5mm	-	E40-846(C)
22.0mm	-	E40-866(C)
22.5mm	-	E40-885(C)
23.0mm	-	E40-905(C)
23.5mm	-	E40-925(C)
24.0mm	-	E40-944(C)
24.5mm	-	E40-964(C)
25.0mm	-	E40-984(C)
25.5mm	-	E40-1003(C)
26.0mm	-	E40-1023(C)

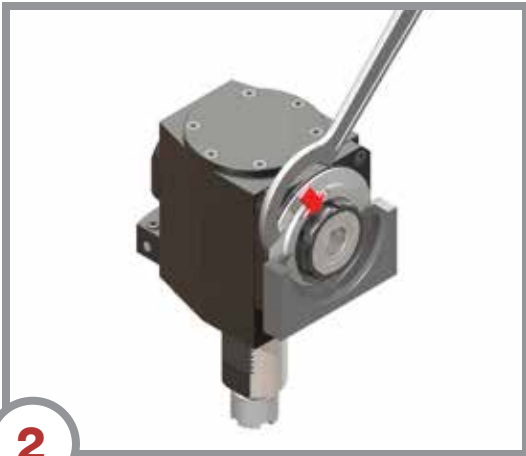


Wrench Instructions



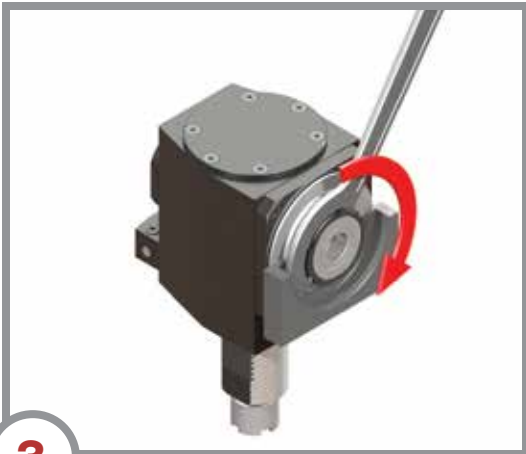
1

Insert setting fixture behind collet nut.



2

After securing the setting fixture in position, apply spanner wrench onto collet nut.



3

While holding the setting wrench, turn the spanner wrench clockwise to tighten.

Service and Support

Lyndex-Nikken is dedicated to providing not only the highest quality of equipment, but also the highest quality of service and customer care. With over 60 years of experience, our service engineers are looking forward to supporting your needs beyond your expectations.

We fully stock all internal components to provide an expedited and cost-effective maintenance program and rebuild package for your live tooling. Managing a maintenance schedule for all your machine tool accessory components can be challenging, so we'll be glad to remind you when the time comes.

Warranty:

1 year warranty for internal components

2 year manufacturer warranty on external body

For any service request or inquiry, please contact our service department: **(847) 367-4800**





The TQW Torque Wrench is very accurate and easy-to-use, guaranteeing maximum accuracy and preventing tool overtightening or breakage.

- **Variable torque adjustable wrench**
- **Robust and durable**
- **Ergonomic grip**
- **Easy to read inch and metric scale**
- **Strong steel shaft is highly corrosion resistant**
- **Easy to set up and operation:**
 - A. Set wrench to desired torque setting**
 - B. Insert attachment**
 - C. Torque down on collet nut until it clicks in place**



A wide selection of attachments are available: ER, SK, TG, Pull Stud, Milling Chuck, Capto

Design and Construction



A "Push-Button Locking Device" securely locks the preset torque and prevents inadvertent adjustment.



Handle is shaped to provide a firm and ergonomic grip.

Collet Number	Part Number	Attachments (Type and Size)			Torque Range		Torque Wrench	
		Description	mm	Inch	lbs	Nm	Part Number	Description
ER8	TQW-ER08	Blank	Special Attachment - Call		4	6	TQW-025	14X18, 25ft.lbs
ER11	TQW-ER11(17)	Hex/OE	17	0.67	11	15		
ER16	TQW-ER16(32)	Hook	32 [+/-5mm]	1.25	40	54	TQW-150	14X18, 150ft.lbs
ER20	TQW-ER20(32)		32 [+/-5mm]	1.25	60	81		
ER25	TQW-ER25(43)		43 [+/-5mm]	1.69	75	102		
ER32	TQW-ER32(50)		50 [+/-5mm]	1.96	100	136		
ER40	TQW-ER40(63)		63 [+/-5mm]	2.48	125	169		
SK6	TQW-SK06(18)	Hex/OE	18	0.71	14	19	TQW-025	14X18, 25ft.lbs
SK10	TQW-SK10(1)		25.4	1.00	33-34	45-46		
SK16	TQW-SK16(43)	Hook	43 [+/-5mm]	1.69	55-62	74-84	TQW-150	14X18, 150ft.lbs
SK25	TQW-SK25(60)		60 [+/-5mm]	2.36	66-73	90-99		
TG75	TQW-TG075(50)	Hook	50 [+/-5mm]	1.96	55	75	TQW-150	14X18, 150ft.lbs
TG100	TQW-TG100(63)		63 [+/-5mm]	2.48	75	102		
TG150	TQW-TG150(82)		82 [+/-5mm]	3.22	100	136		
Pull Stud - 13mm	TQW-PS(13)	Hex/OE	13	0.51	14 ~ 18	19 to 25	TQW-025	14X18, 25ft.lbs
Pull Stud - 3/4" (19mm)	TQW-PS(19)		19	0.75	44 ~ 59	60 to 80	TQW-150	14X18, 150ft.lbs
Pull Stud - 30mm	TQW-PS(30)		30	1.18	147 ~ 185	200 to 250		
Pull Stud - 1/1/4"	TQW-PS(32)		31.75	1.25	147 ~ 185	200 to 250		
Milling Chuck - 3/4"	TQW-C3/4(50)	Hook	50 [+/-5mm]	1.96	19 to 24	26-32	TQW-150	14X18, 150ft.lbs
Milling Chuck - 1"	TQW-C1(60)		60 [+/-5mm]	2.36	27 to 31	36-42		
Milling Chuck - 1.1/4"	TQW-C1.1/4(72)		72 [+/-5mm]	2.83	48 to 59	65-80		
CAPTO C3	TQW-CAPTO3(8)	Hex	8	0.31	26	35	TQW-150	14X18, 150ft.lbs
CAPTO C4	TQW-CAPTO4(10)		10	0.39	37	50		
CAPTO C5	TQW-CAPTO5(12)		12	0.47	52	70		

YOUR NEW WORKHOLDING SOLUTION

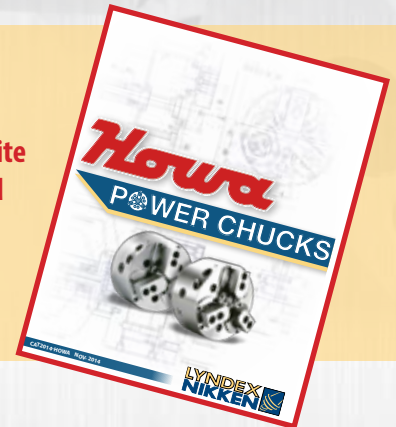
**LYNDEX
NIKKEN**
HYDRAULIC POWER CHUCKS

**HIGH QUALITY
HIGH DURABILITY
HIGH PRECISION**

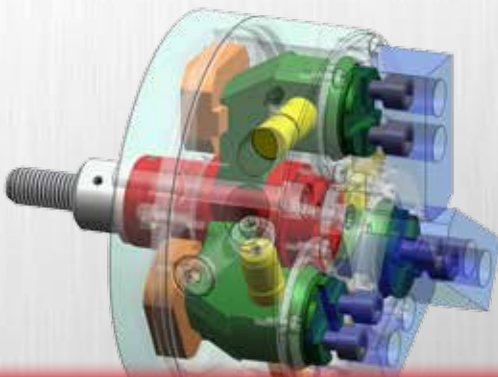


**A wide selection of
2-Jaw, 3-Jaw and
Specialty chucks
designed to handle
any workholding
challenge!**

Visit our website
to download
the catalog!



HYDRAULIC POWER CHUCK FEATURES



- Low maintenance, High performance
- Capable of clamping over workpieces with uneven surfaces and a large range of diameters
- Maintains powerful clamping at high RPM
- Large through hole bores available for bar feeding
- Fully sealed structure reduces frequent greasing and prevents coolant leaks



Phone: (847) 367-4800



Email: sales@lyndexnikken.com



www.lyndexnikken.com

Connect with us on our
social media channels!

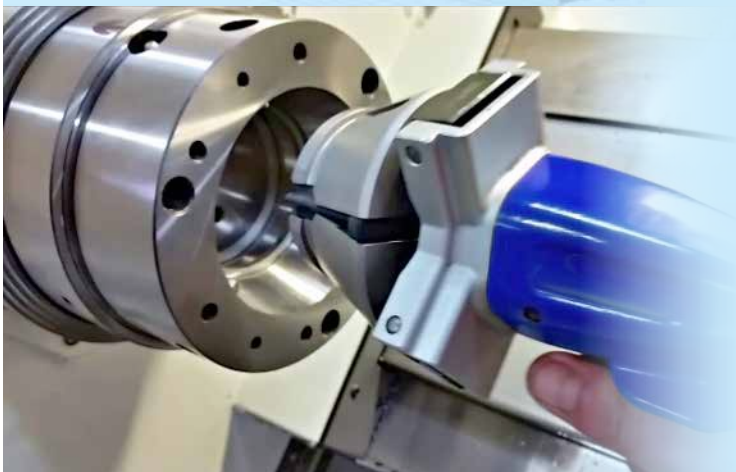


QUICK CHANGE FLEX COLLETS

AVAILABLE NOW!



**COLLET CHANGE
IN 10 SECONDS!**



- **Quick set-up time** - Collet can be switched to any size within seconds, not minutes
- **Increased Precision** - Collet accuracy is .0004" or Better
- **Increased Grip Force** - Collet collapses parallel to work piece, not angular
- **Increased Clamping Range** - Quick Change Flex collets allow work pieces to be up to .062" below nominal diameter vs. conventional .005"

For more information and to download our
QCFC Product Catalog, please visit:
www.lyndexnikken.com/QCFC



LYNDEX NIKKEN



LYNDEX
NIKKEN
1458 Armour Blvd
Mundelein, IL
(847) 367-4100

1458 Armour Blvd
Mundelein, IL
(847) 367-4100





Lyndex-Nikken website:

Be sure to check out our website

www.lyndexnikken.com

to find out more about our products,
services and all we have to offer!

This customer-friendly site provides a
complete overview of our product line,
and features technical data, videos,
CAD drawings, catalogs and more.

[1.575]
Ø 40
[2.480]
63

[4.628]
117.55

[1.614]
41



www.lyndexnikken.com

1468 Armour Boulevard
Mundelein, IL 60060

E-mail: sales@lyndexnikken.com

Phone: (847) 367-4800

Fax: (847) 367-4815

[3.150]
80

CAT2016-HAAS-ST

JUNE 2016

[2.716]
69

[1.575]
40

[3.937]
100

73